

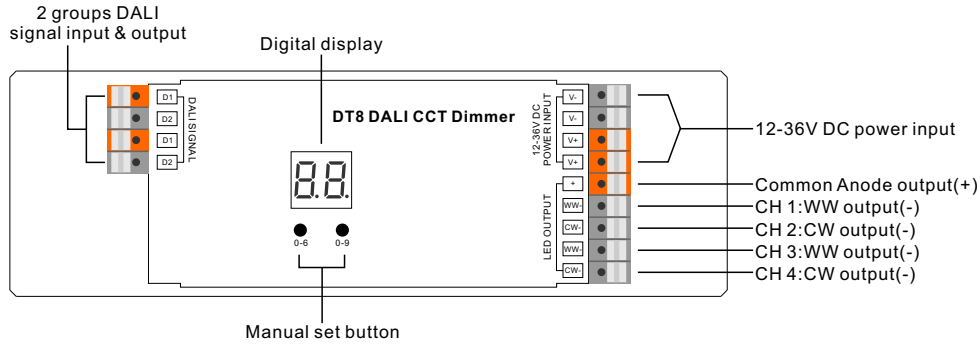
DALI DT8 Dual Color LED Dimmer

09.2309C.04271



Important: Read All Instructions Prior to Installation

Function introduction



Product Data

No.	Input Voltage	Output Current	Output Power	Remarks	Size(LxWxH)	DALI Consumption	Dimming Range	Ambient Temperature
1	12-36VDC	4x5A	4x(60-180)W	Constant voltage	170x53.4x28mm	2mA	0.1%-100%	-20°C ~ +50°C
2	12-36VDC	4x350mA	4x(4.2-12.6)W	Constant current	170x53.4x28mm	2mA	0.1%-100%	-20°C ~ +50°C
3	12-36VDC	4x700mA	4x(8.4-25.2)W	Constant current	170x53.4x28mm	2mA	0.1%-100%	-20°C ~ +50°C

- Complies to IEC 62386-209:2011
- DALI DT8 device to control Warm White and Cool White output via a single DALI address
- 4 Channels constant voltage or constant current output
- Enables Dimming and Color Temperature Adjustment
- Color control as defined in the DALI specification for device type 8, Color Type Tc.
- Supports DT8 device commands, compatible with DALI masters that support DT8 commands
- Configuration via DALI master USB interface
- Numeric digital display for setting DALI address manually
- Waterproof grade: Ip20

Safety & Warnings

- DO NOT install with power applied to device.
- DO NOT expose the device to moisture.

Operation

1. Setting DALI address



- 1.1. Press and hold down any of the two buttons until numeric digital display flashes, then release the button.
- 1.2. Click any of the two buttons once to select a digit, click again to change the digit until the desired DALI

address appears. Click first button to set "tens" position and second button to set "units" position. The address can be set from 00-63.

1.3. Then press and hold down any of the 2 buttons until the numeric digital display stops flashing to confirm the setting.

Note: DALI address can be manually assigned from 00-63-FF, by factory defaults, no DALI address is assigned for the dimmer, and the display shows **FF**. Setting DALI address as **FF** will reset the dimmer to factory defaults.

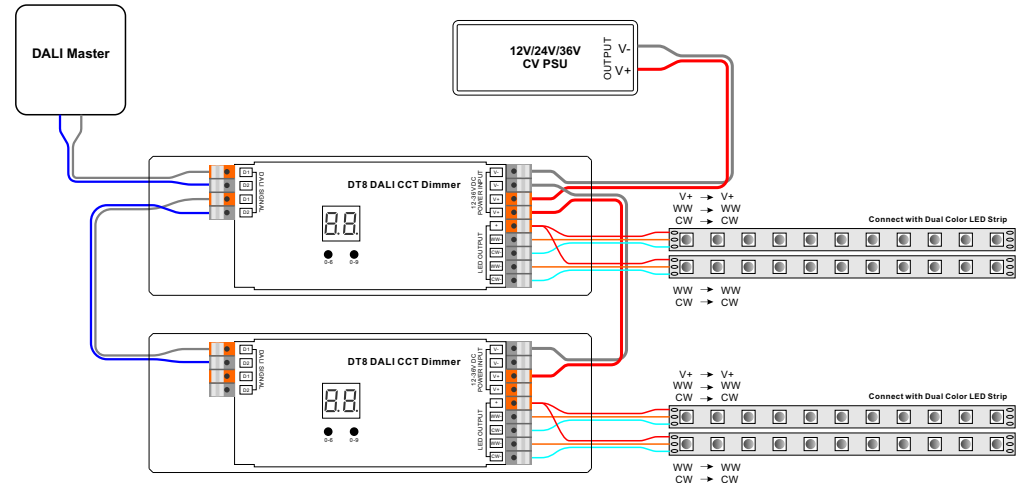
2. Once an address is selected, all four channels' address will be the same. For example, if the dimmer is addressed to 22 on the display then CH1, CH2, CH3, CH4 will be the same address 22.

3. DALI Address Assigned by DALI Masters

DALI address can also be assigned by DALI Master controller automatically, please refer to user manuals of compatible DALI Masters for specific operations.

Note: The digital display will show **AU** When the DALI master is assigning addresses.

Wiring Diagram



Conformity & Standards

- Radio Frequency Interference according to EN 55015:2013/A1:2015
- Immunity standard according to EN 61547:2009
- TÜV SÜD marked, CE marked

Product Dimension

